

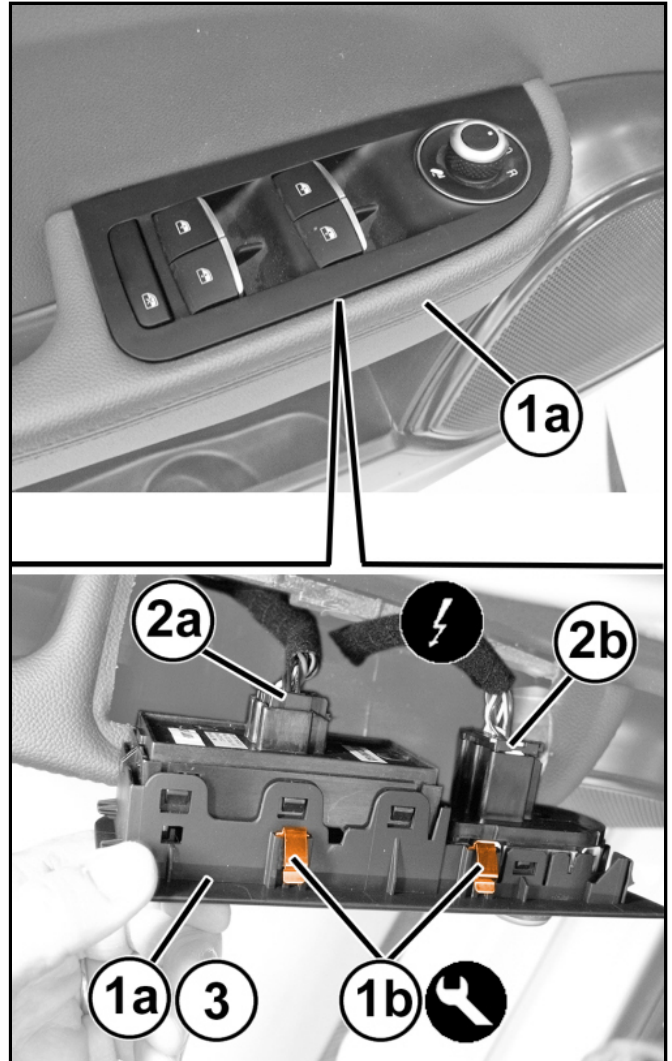
## 8N - Power Systems / Power Windows / SWITCH, Power Window/Removal and Installation

### SWITCH - DRIVER FRONT

**+** **Labor Operations:** Click to display a list of Labor Operations associated with this procedure

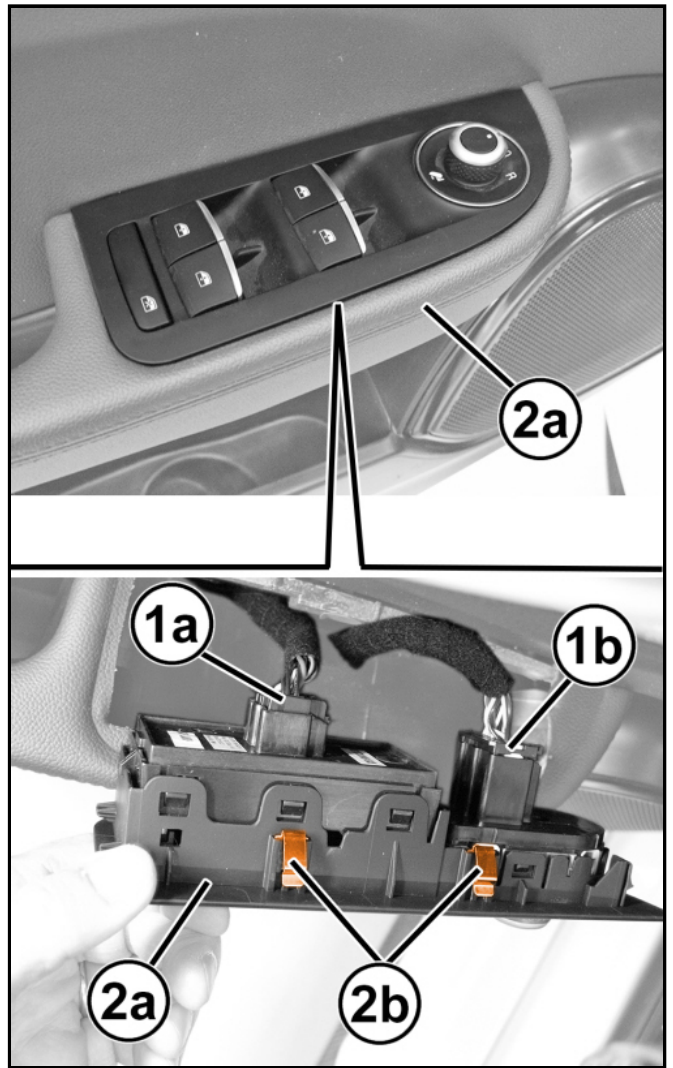
#### REMOVAL

1. Disconnect and isolate the negative battery cable.
2. Using a trim stick or suitable tool, lift up the power switch unit (1a) and release the retainers (1b).
3. Disconnect the wiring harness connectors (2a, 2b) from the power switch unit.
4. Remove the power switch unit from the vehicle.



#### INSTALLATION

1. Position the power switch unit to the panel for installation.
2. Connect the wiring harness connectors (1a, 1b) to the power switch unit.
3. Install the power switch unit and secure the switch unit retainers (2b).



4. Connect the negative battery cable.